

JR



DIAPHRAGM PUMP FOR AIR/GAS APPLICATION

Attributes High performance standards 100% Oil-free High flow rate for quicker operation Excellent gas sealing / Contamination free Long reliable service life Lightweight compact size Low power consumption and noise level Pump Re-Start at maximum levels	Applications Small portable equipment Laboratory analysis Medical Automotive Environmental sampling Gas sampling Massage devices Chemically demanding uses
--	---

Performance Data

Maximum Flow	1.3 l/min
Maximum Vacuum	-653 mbar
Maximum Pressure	1000 mbar
Maximum Vacuum Re-Start	-653 mbar
Maximum Pressure Re-Start	1000 mbar

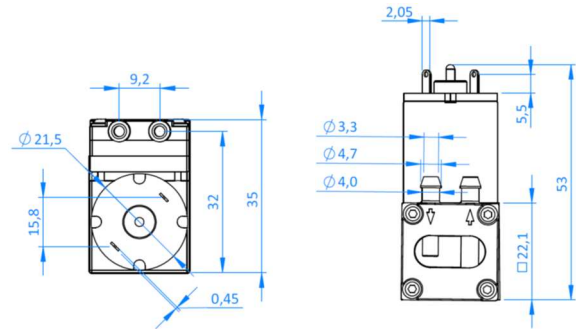
Motor Data

Motor Type	DC Brushed	
Voltage	12 Vdc	24 Vdc
Maximum current	0.35 A	0.20 A
IP	00	
Insulation Class	B	
Electrical Connection	2.05 x 0.45mm Solder tab	

Additional Data

Average Noise	56 dB
Weight	56 gram

Dimensions in mm



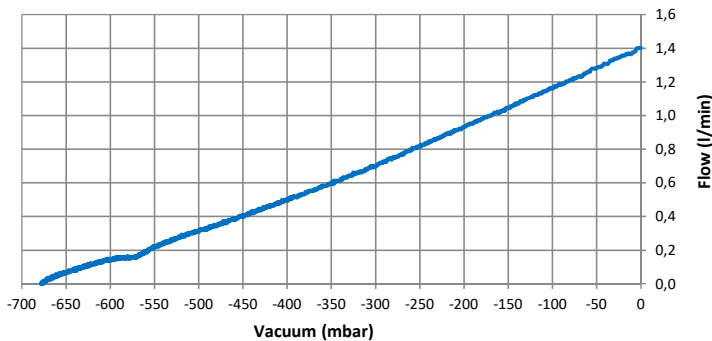
Available Material Options

Head	PPS
Diaphragm	EPDM, FKM & FFKM
Valve	EPDM, FKM & FFKM

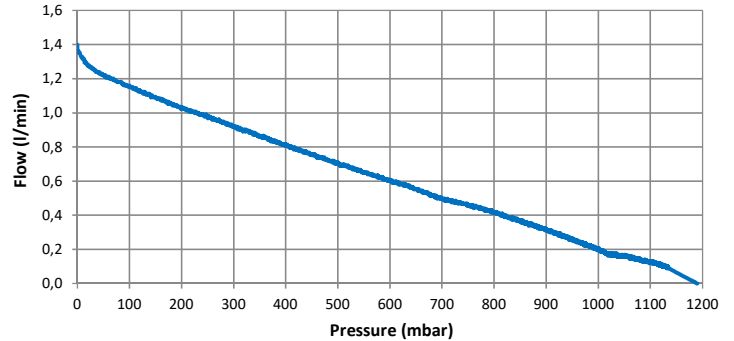
Service kits

EPDM Rubber kit	900.75
FKM Rubber kit	900.76
FFKM Rubber kit	900.77

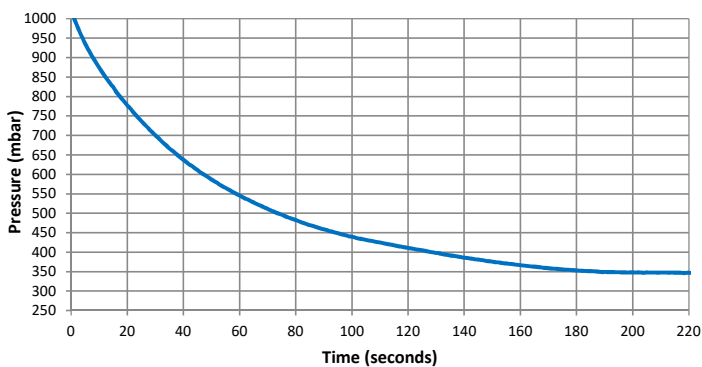
Vacuum / Flow characteristic



Pressure / Flow characteristic



Vacuum / Time characteristic over 1,5L chamber



Pressure / Time characteristic over 1,5L chamber

